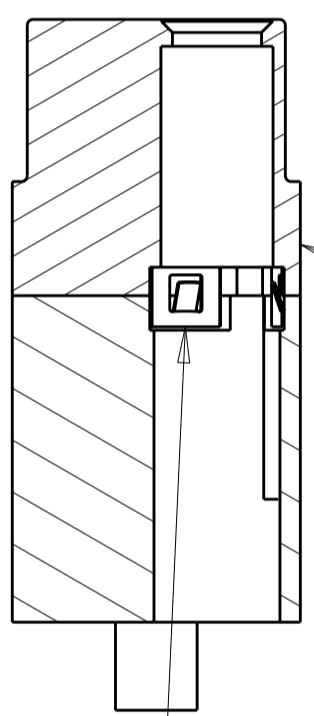
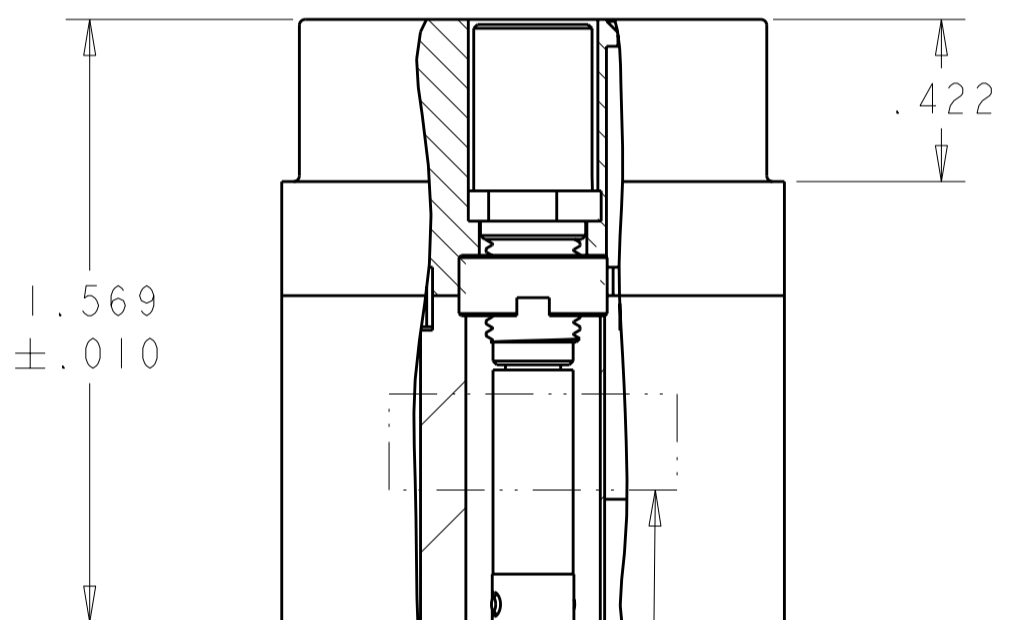
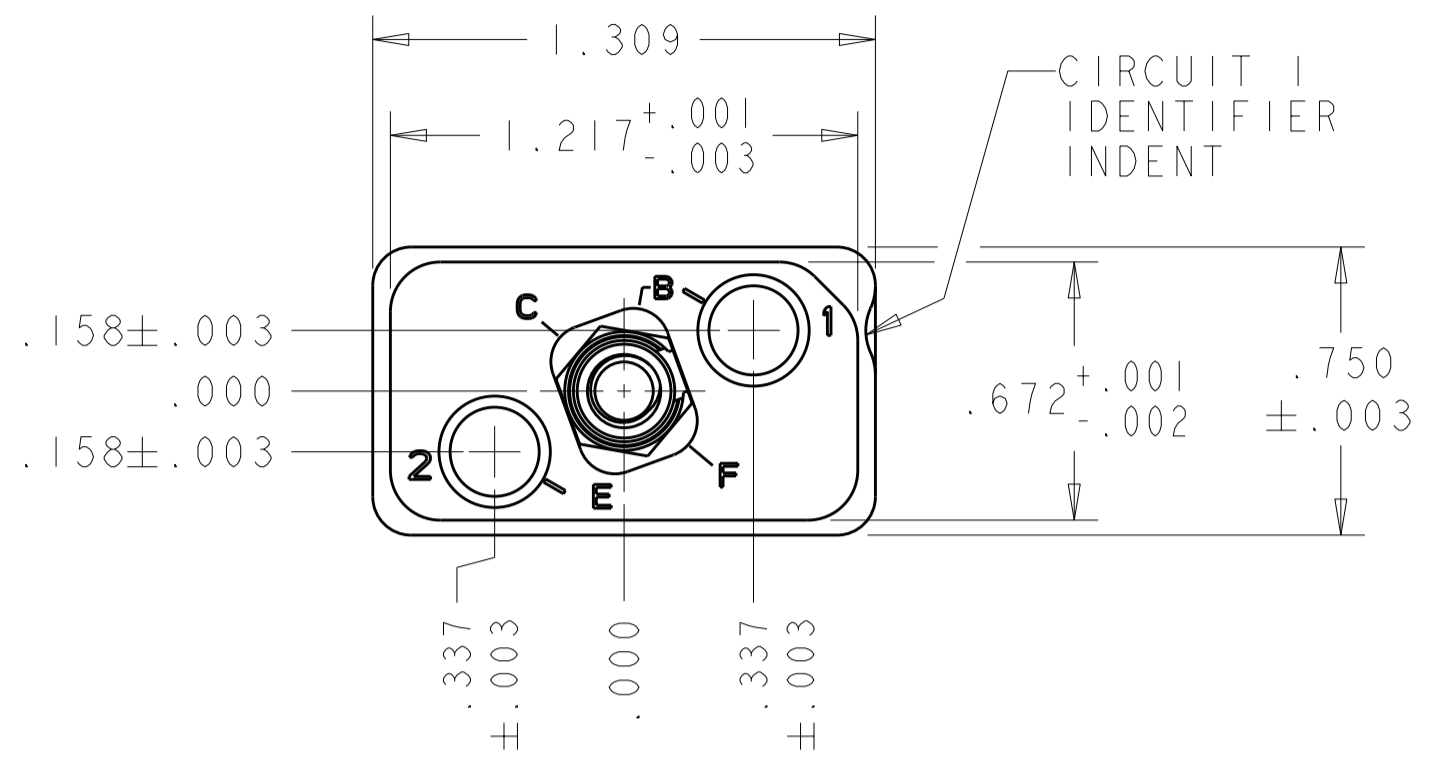


THIS DRAWING IS UNPUBLISHED. RELEASED FOR PUBLICATION 20
 © COPYRIGHT 20 BY TYCO ELECTRONICS CORPORATION. ALL RIGHTS RESERVED.

LOC	DIST	REVISIONS					
DF	A5	P	LTR	DESCRIPTION	DATE	DWN	APVD
		D		REV PER ECR-06-9627	27APR06	BH	RW
		E		REV PER ECO 08-000829	17MAR2008	CT	DM



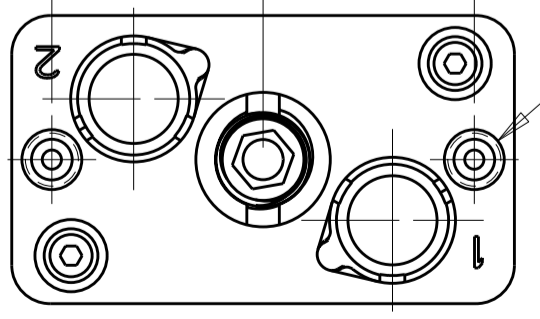
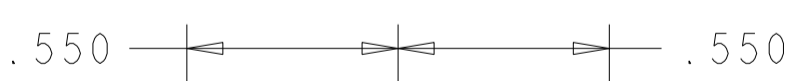
PLUG SHELL AND REAR RETENTION PLATE
 MATL: ALUMINUM ALLOY
 FINISH: BLACK ANODIZED

- 1. JACKSCREW-RETENTION NUT KIT IS UNASSEMBLED TO CONNECTOR ASSY. KIT IS PACKAGED IN SEALED BAG.
- 2. 1604898-4, -5 + -6 HOUSING CONFIGURATION SHOWN, SEE SHEET 2 FOR 1604898-2 CONFIGURATION.

JACKSCREW AND RETENTION NUT KIT SIMILAR TO BACC65AF FLAT PLZN; INCLUDED, BUT NOT INSTALLED

TE LOGO, DATE CODE AND EITHER CUSTOMER OR TE PART NUMBER (PER TABLE), CAGE CODE 00779 (-6 ONLY) MARKED APPROX AS SHOWN ON NEAR OR FAR SIDE

RETENTION CLIP, 2 REQD
 MATL: STAINLESS STEEL
 FINISH: PLATED SILVER



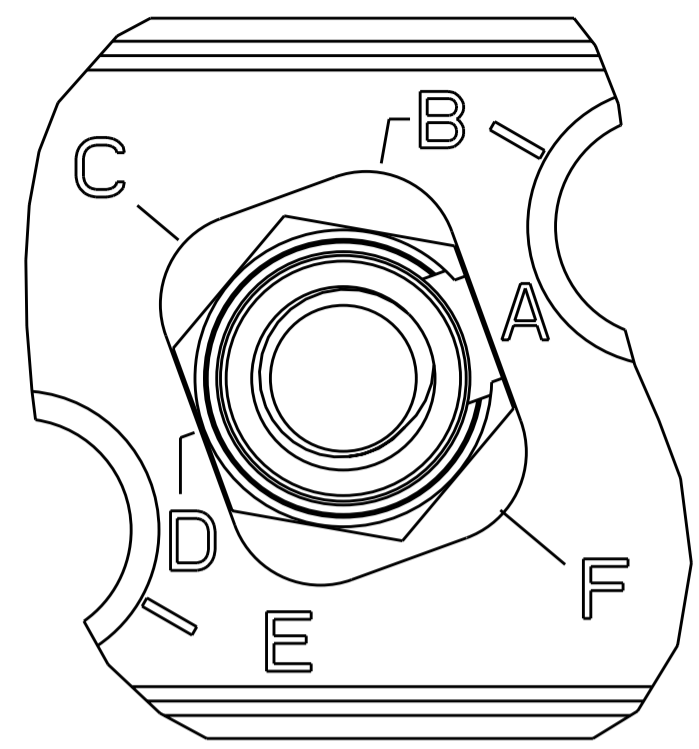
∅ .156 ± .02
 6-32 x .63 SPIRALOCK
 THREADS, 2X
 (FOR ATTACHING BACKSHELL
 KIT 1604905-1)

1445693-3	---	JACKSCREW ASSEMBLED PLZN CODE A	1604898-6
1445693-3	---	WITH JACKSCREW-RETENTION NUT KIT (FLAT POLARIZATION)	1604898-5
1445693-4	BACC65BC2A	WITH JACKSCREW-RETENTION NUT KIT (FLAT POLARIZATION)	1604898-4
1445693-2	---	WITH JACKSCREW-RETENTION NUT KIT (FLAT POLARIZATION)	1604898-2
RECOMMENDED CONTACT WITH WIRE SEAL	BOEING PART NUMBER	DESCRIPTION	PART NO.

THIS DRAWING IS A CONTROLLED DOCUMENT FOR TYCO ELECTRONICS CORPORATION. IT IS SUBJECT TO CHANGE AND THE CONTROLLING ENGINEERING ORGANIZATION SHOULD BE CONTACTED FOR THE LATEST REVISION.		DWN Brent D. Yohn	Tyco Electronics Harrisburg, PA 17105-3608	
DIMENSIONS: INCHES		CHK W.H. BERNHART	NAME ASSY, PLUG, QUADRAX, FREE HANGING, RR/RR, 2 POSN	
TOLERANCES UNLESS OTHERWISE SPECIFIED: 0 PLC ± 1 PLC ± 2 PLC ± 3 PLC ±.005 4 PLC ± ANGLES ±°		APVD W.H. BERNHART	PRODUCT SPEC APPLICATION SPEC	
MATERIAL SEE CALLOUTS -		FINISH SEE CALLOUTS -	WEIGHT -	RESTRICTED TO
CUSTOMER DRAWING		SCALE 2:1	SHEET 1 OF 2	REV E

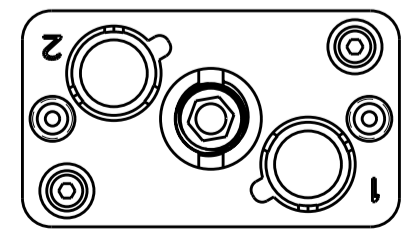
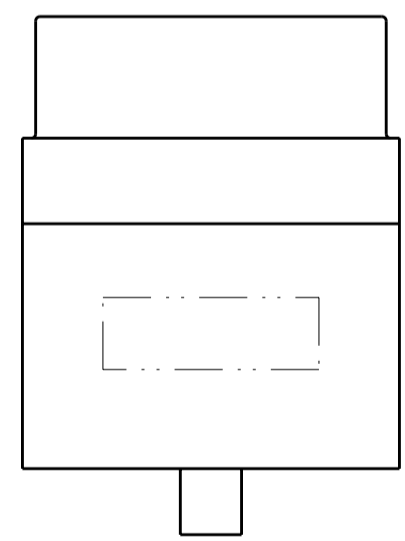
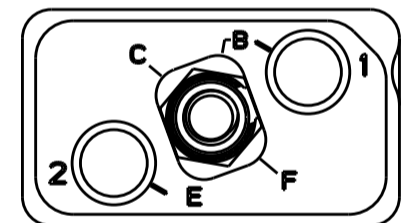
THIS DRAWING IS UNPUBLISHED. RELEASED FOR PUBLICATION 20
 © COPYRIGHT 20 BY TYCO ELECTRONICS CORPORATION. ALL RIGHTS RESERVED.

LOC	DIST	REVISIONS					
DF	A5	P	LTR	DESCRIPTION	DATE	DWN	APVD
		-		SEE SHEET 1			

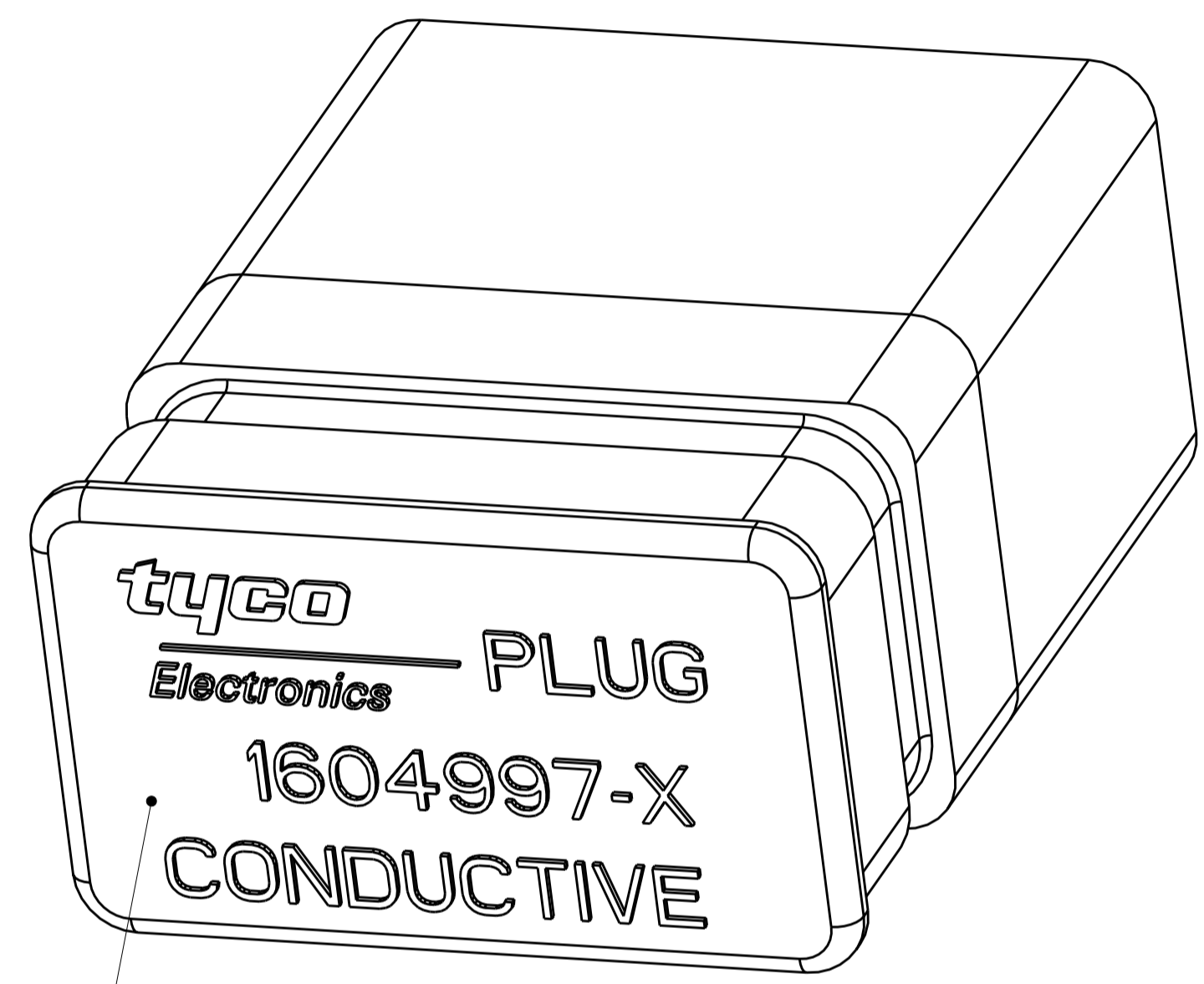


1604898-2, -4, -5 & -6 (FLAT PLZLN)

(PLZLN CODES, A THRU F,
 SHOWN FOR REF ONLY;
 "A" AND "D" DO NOT
 APPEAR ON PARTS)



1604898-2
 SCALE 3:2



tyco
Electronics PLUG
 1604997-X
 CONDUCTIVE

ESD DUST COVER; SUPPLIED WITH 1604898-4, -5 & -6 ONLY;
 PART NUMBER 1604997-2 MUST BE ORDERED SEPARATELY FOR
 USE WITH 1604898-2

<small>THIS DRAWING IS A CONTROLLED DOCUMENT FOR TYCO ELECTRONICS CORPORATION IT IS SUBJECT TO CHANGE AND THE CONTROLLING ENGINEERING ORGANIZATION SHOULD BE CONTACTED FOR THE LATEST REVISION.</small>		DWN 06OCT2004 Brent D. Yohn CHK 06OCT2004 W.H. BERNHART APVD 06OCT2004 W.H. BERNHART	Tyco Electronics Tyco Electronics Harrisburg, PA 17105-3608
DIMENSIONS: IN 	TOLERANCES UNLESS OTHERWISE SPECIFIED: 0 PLC ± 1 PLC ± 2 PLC ± 3 PLC ±.005 4 PLC ± ANGLES ±° FINISH	PRODUCT SPEC APPLICATION SPEC WEIGHT CUSTOMER DRAWING	NAME ASSY, PLUG, QUADRAX, FREE HANGING, RR/RR, 2 POSN SIZE CAGE CODE DRAWING NO RESTRICTED TO A2 00779 C-1604898 -
		SCALE 2:1	SHEET 2 OF 2 REV E